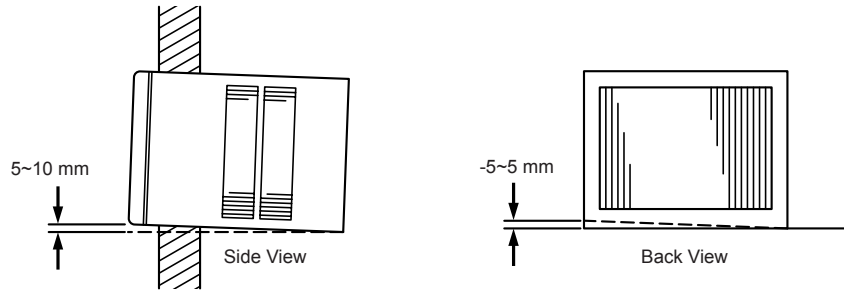


# INSTALLATION PRECAUTIONS

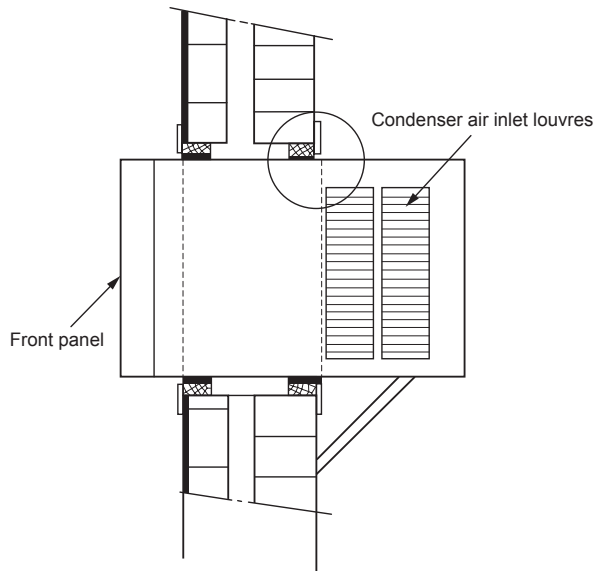
## 1. UNIT TILT

When installing, allow the air conditioner to tilt between 5~10 mm towards the rear part for holding condensate water.

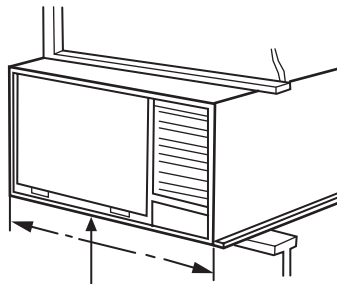


## 2. AIR INLET LOUVERS

Do not block the air inlet louvers on both sides of the cabinet and also make sure there are no gaps around the cabinet.

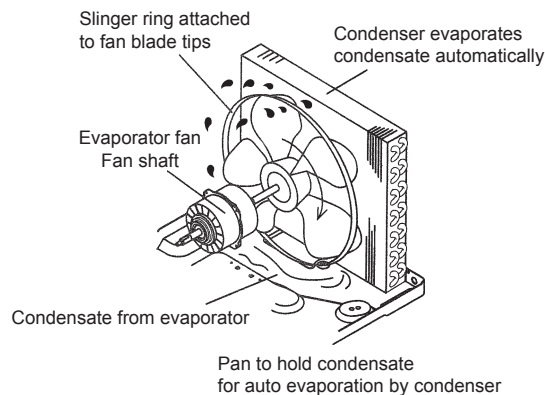


## 3. SEAL OFF THE GAP BETWEEN THE CABINET AND THE UNIT



Seal off the gap between the cabinet and the unit with the urethane foam provided.

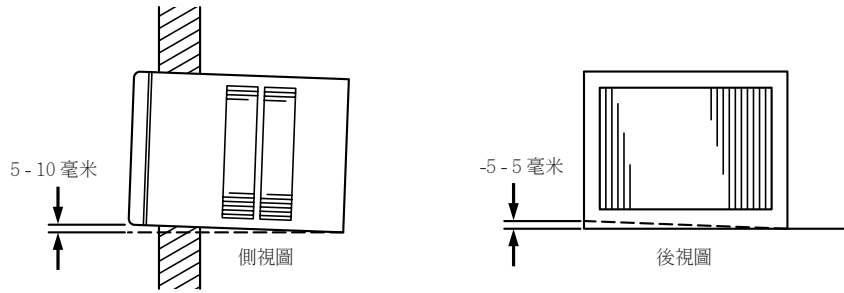
## REMARK : CONDENSATE WATER SPLASHING METHOD



## 安裝注意事項

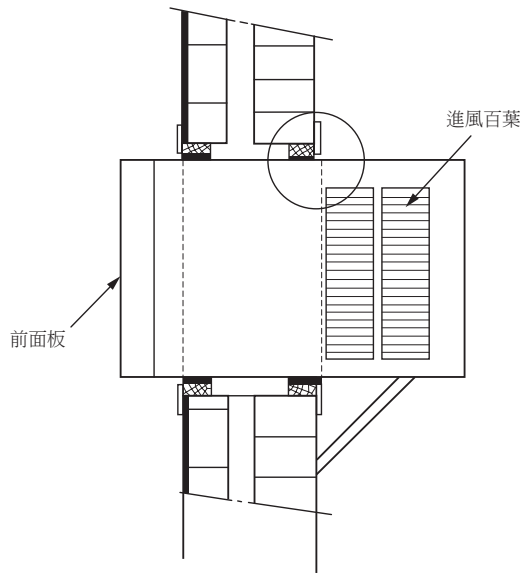
### 1. 冷氣機傾斜

安裝時，使冷氣機向後傾斜 5 至 10 毫米 以積聚冷凝水。

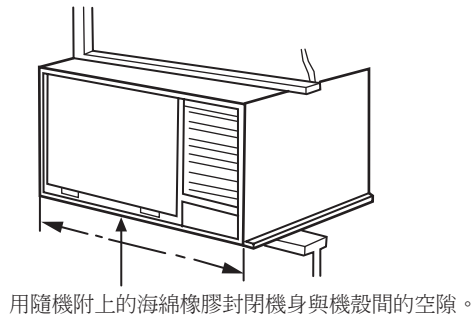


### 2. 進風百葉

確保機殼左右兩側的進風百葉沒受阻擋及四周沒有空隙。



### 3. 封閉機身與機殼間的空隙



## 說明：冷凝水撥發方式

