



Çala

Manual of Dehumidifier

model no. GDH-3018

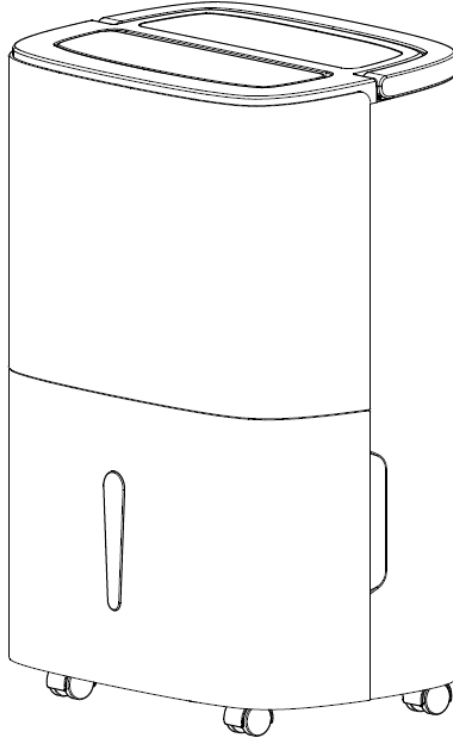


Table of Contents

Safety Warning.....	2
Frequent enquiries	3
Installation.....	4
Components.....	5
Control Panel.....	6
Operation Methods.....	7
Drainage.....	8-9
Maintenance.....	10
Troubleshooting.....	11
Technical Parameters	12

Safety Warning

For your safety, please read the following contents carefully before using this dehumidifier:

Requirements:

- ◆ Install this humidifier in smooth place to reduce vibration and noise.
- ◆ Do not place this dehumidifier in water or other liquids.
- ◆ In order to prevent accidents, please do not use this dehumidifier if wires or other connections are damaged.
- ◆ This appliance can be used by children aged from 8 years and above and persons with reduced physical, sensory or mental capabilities or lack of experience and knowledge if they have been given supervision or instruction concerning use of the appliance in a safe way and understand the hazards involved.
Children shall not play with the appliance. cleaning and user maintenance shall not be made by children without supervision.
- ◆ When stop, reset or clean this dehumidifier, please cut off the power.
- ◆ Please use at the specified voltage.
- ◆ This dehumidifier can only be used indoor, please do not use for other purposes.
- ◆ Please do not place heavy objects on this dehumidifier.
- ◆ Please empty water tank to prevent overflow and spill before restarting this dehumidifier.
- ◆ Please do not incline in case that the spilled water damages this dehumidifier.
- ◆ Please do not place waste rods and hard objects into the dehumidifier in case that error and damage occur.
- ◆ If the supply cord is damaged, it must be replaced by the manufacturer, its service agent or similarly qualified persons in order to avoid a hazard.
- ◆ When this dehumidifier is not used for long time, please unplug the electric cord.
- ◆ Power supply of the Dehumidifier shall comply with the safety regulations where it is used and ensure reliable grounding.

Prohibition:

- ▲ Please do not place this dehumidifier close to heating devices (flame or heaters, etc.).
- ▲ Please do not turn on or turn off this dehumidifier by plugging in or pulling out the plug.
- ▲ Do not use insecticide spray or other flammable substances in the vicinity of this dehumidifier.
- ▲ Do not scratch appearance of this dehumidifier with sharp matters.
- ▲ Do not splash oil or water into this dehumidifier.
- ▲ Do not clean this dehumidifier with water, please wipe it with subhumid soft cloth.
- ▲ Do not wipe this dehumidifier with chemical solvents such as benzene, gasoline and alcohol, etc. If this dehumidifier is indeed dirty, please wipe with neutral detergent.
- ▲ Please do not incline this dehumidifier over 45° or place this dehumidifier upside down.

Frequent enquiries

Q: Why is less water stored in water tank of the dehumidifier in winter?

- In winter temperature is low and air is dry. In comparison with summer, the dehumidification ability of the dehumidifier decreases remarkably, this is not a fault.

Q: Why the dehumidifier cannot run or stops running suddenly?

- This dehumidifier may be full of water or water tank is not installed properly, drain the water in water tank, or re-install water tank in correct way.
- At the moment the dehumidifier may be in the “dehumidification mode”, the ambient temperature is lower or higher (dehumidification cannot be performed when the ambient temperature is $<5^{\circ}\text{C}$ or $>32^{\circ}\text{C}$).

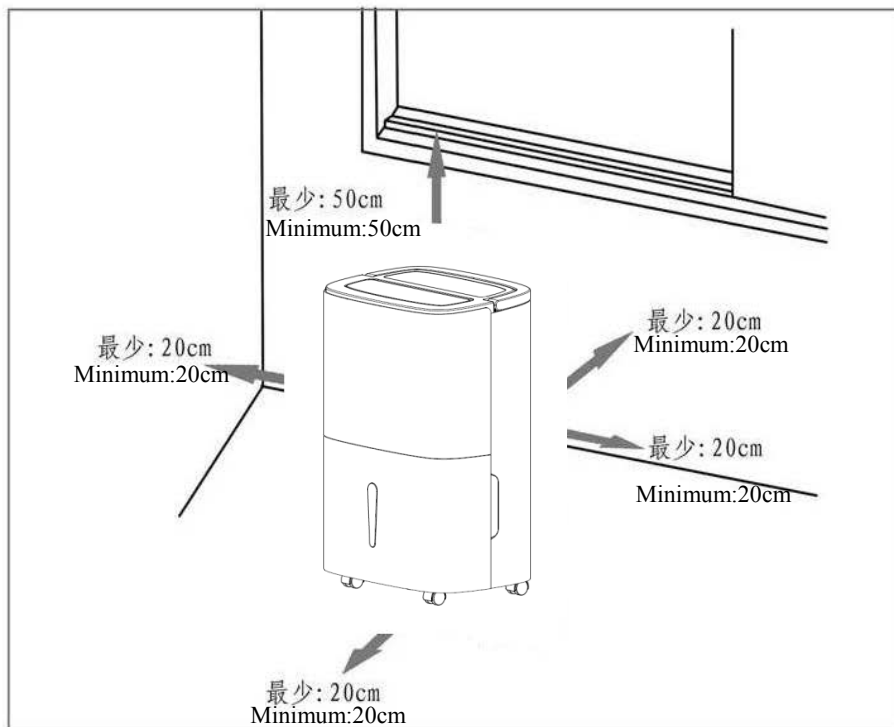
The ambient temperature for operation of the dehumidifier is $5-32^{\circ}\text{C}$, and the relative humidity is 30%-80%. The optimal temperature for use is $16-32^{\circ}\text{C}$;

Q: Why is hot air blown out from air supply outlet?

- This dehumidifier extracts the air in the room, and the dehumidification unit cools the air, the temperature decreases below the condensation point, the air condenses into water drops, which falls into water tank finally, and the dehumidified air is heated by the temperature returning unit. This can reduce energy consumption and also accelerate dehumidification, therefore, hot air is blown out, and this not a fault.

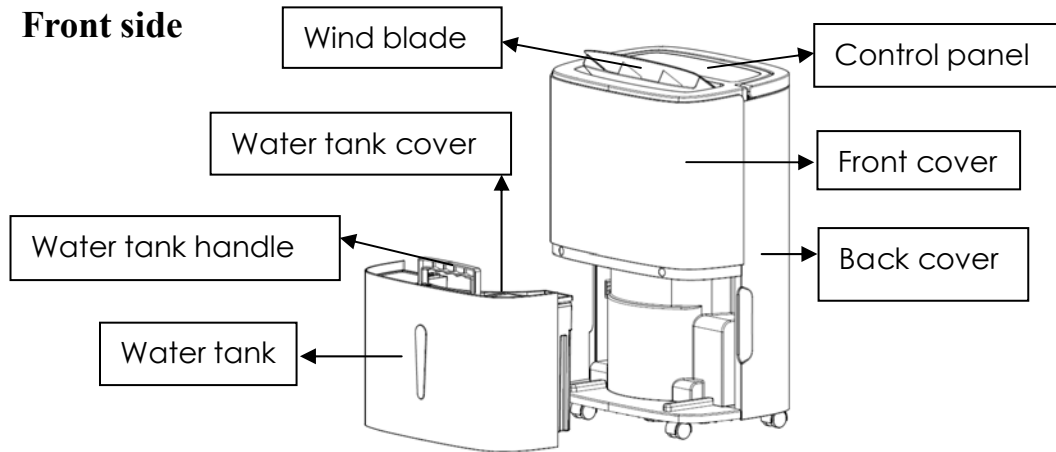
Installation

- ◆ Please drain the water from water tank before running.
- ◆ During running please do not open doors and windows as much as possible since this can save energy resources.
- ◆ When the dehumidifier is installed, a certain space must be reserved around this dehumidifier, the minimum distance above is 50cm, and the minimum distance in front/rear and left/right is 20cm as required, as shown in figure below.
- ◆ When big noise is found during operation of this dehumidifier:
It is recommended inserting pads or damping rubber sheets, etc. below this dehumidifier, this can reduce vibration and noise, and can also reduce sinking of wood floor or carpet.

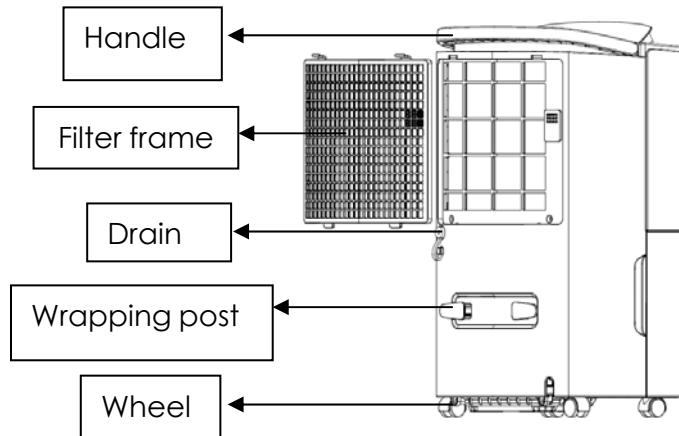


Components

Front side



Back side



Control panel with negative ion function

Timer

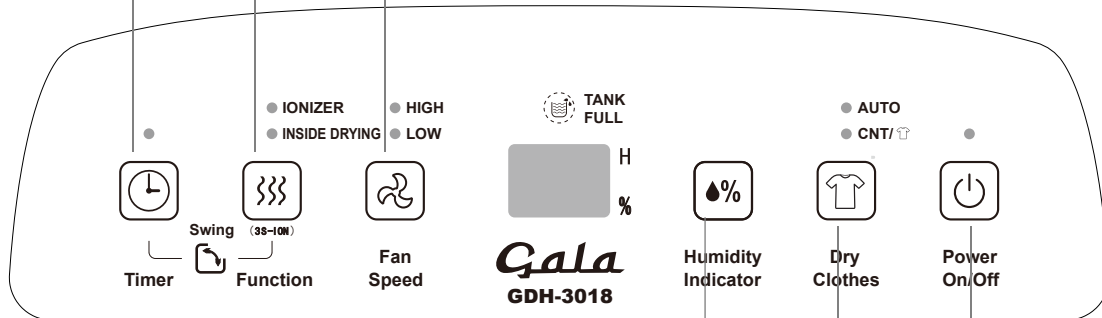
24h timer setup, press this key to set on/off time of the dehumidifier, and the setting range is 1-24h. If you cancel timer setup, press twice continuously after confirmation of setting time.

Negative ion

Press this key to start the negative ion function, and press it again to cancel.

Air speed

In CONTINUOUS mode air speed, HIGH and LOW can be circularly selected.



LCD Display

In AUTO, CONTINUOUS AND DRYING modes, etc., this figure displays room humidity. When humidity is set in AUTO mode, this figure shows the set humidity; and displays the set time in timer state, % represents percentage of humidity.

Humidity setting

Once this key is pressed, the humidity is displayed circularly in the range of 40%-45%-50%-55%-60%-65%-70%, and the humidity setting is only valid in AUTO mode.

Mode

During startup or timer startup press this key to select AUTO, CONTINUOUS and DRYING modes, etc., and the indicator lamp corresponding to the selected mode is on.

On/off key Press this key to turn on or turn off the dehumidifier.

Operating methods

Description of functions

Setting of timer off

- When the dehumidifier is running, press the [Timer key] to adjust time from 1h to 24h, pressing the key once to increase the setting time by 1h, after the setting time exceeds 24h, the figure returns to 1 to start cycle. The Timer key can also be pressed all the time, the time increases and changes circularly, when the set time expires, the dehumidifier turns off automatically. After the setting is completed, if the Timer key does not act at all within 5s, the set time is confirmed. In timer off state the key lamp on the [Timer key] is normally on.

Setting of timer on

- When the dehumidifier is in standby state, the method for adjustment of setting time by the [Timer key] is the same as timer off. After the setting is completed, if the Timer key does not act at all within 5s, the set time is confirmed. In timer on state the key lamp on the [Timer key] is normally on, and the set time is displayed on control panel.

AUTO mode

- Select AUTO dehumidification, if the room humidity is >the set humidity+5%, the compressor starts, and the motor runs at high speed., if the room humidity is between the set humidity+5% and the set humidity-5%, the compressor starts, and the motor runs at low speed, if the room humidity is <the set humidity-5%, the compressor stops, the fan runs at low speed. The initial value of the set humidity is 50%.

CONTINUOUS mode

- Select CONTINUOUS dehumidification, no matter how the relative humidity in the room is, the compressor starts, the fan runs at high speed in default, and the air speed can be regulated via the air speed key.

DRYING function in dehumidifier

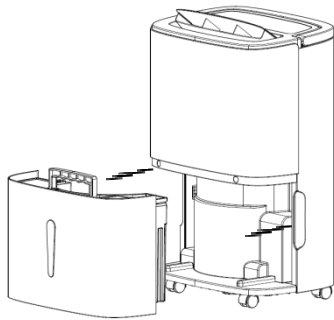
- ◆ Press the [Drying key in dehumidifier] for over 2s to start drying in the dehumidifier, and the whole drying procedure needs approximate 1h:
 1. The dehumidifier starts at HIGH air speed and releases air continuously for 30min;
 2. The dehumidifier turns to run at LOW air speed and lasts for 15min;
- ◆ How to stop:
 1. Press the Mode key again for over 2s to cancel drying in dehumidifier, and recover to the running state before start of drying.
 2. Press the [Power key] to stop drying in dehumidifier and recover to the standby state.

Drainage

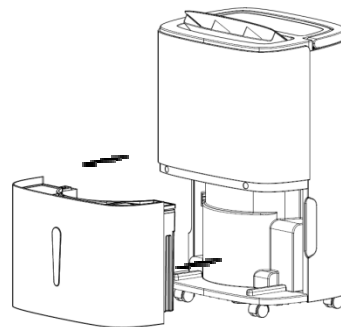
1. Use of water tank

When the water tank is full of water, the full water icon on LCD flashes (the compressor, fan and negative ion will stop running), the **BUZZER** sounds for 10 times to remind the user till water is drained.

- ◆ Place both hands respectively at the side of the back cover side of the depression, gently remove the water tank and open the tank cover on the right side of the body, then pour the water from the gap between water tank and the cover.



- ◆ Close the tank cover, and rotating water tank handle down, then put the water tank gently and put it back in the right place to restart dehumidifier.

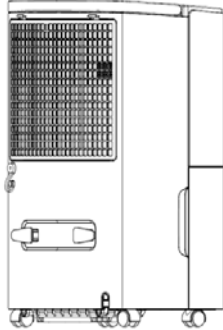


Attention: when the water tank is full of water, please empty it. Before putting the water tank into the dehumidifier, please confirm whether the floater rotates flexibly or not, and then push it in position with both hands.

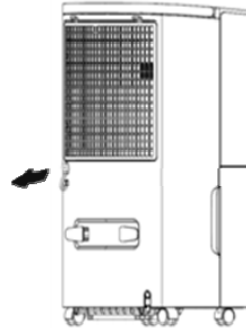
2. Continuous drainage

If you do not want to drain water in the water tank frequently, you can connect a drainage pipe (with inner diameter 9mm) on the back of this dehumidifier to drain water, and this pipe shall be bought by the user.

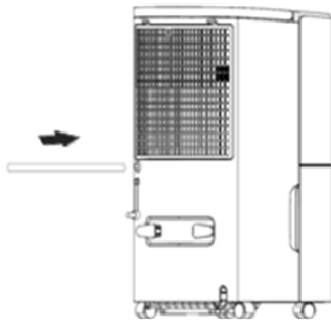
- ◆ Find the position where the water outlet is blocked on the back, as shown in figure below:



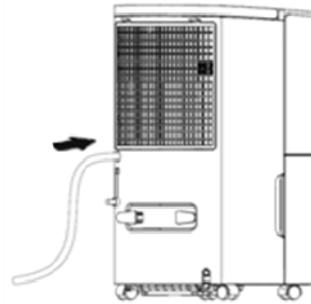
- ◆ Pull down the water plug.



- ◆ Connect a drainage pipe at proper length onto the water outlet.



- ◆ Before using please check whether the drainage pipe is connected firmly or not in case that water leaks.



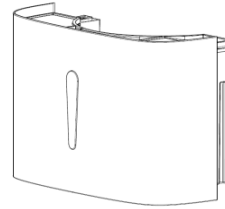
Attention: the level height of externally connected water pipe shall not be higher than the water outlet, and the water pipe at rear-end shall transit smoothly, otherwise, the leakage risk exists since drainage is not smooth.

Maintenance

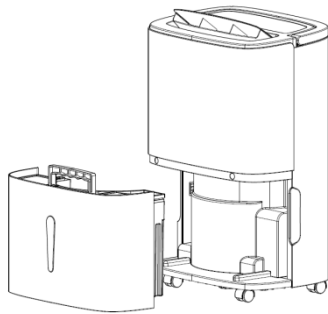
Precautions:

- Please disconnect power supply before maintenance or repair to prevent electric shock.
- If the dehumidifier is not used for long time, please disconnect power supply.
- Please do not clean the dehumidifier body with chemical solvents such as alcohol, gasoline and benzene, etc.。

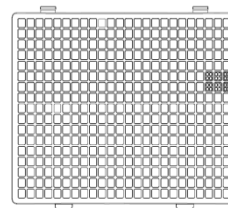
- ◆ Please clean the water tank and its cover with soft cloth dipped in cold or warm water at regular time to prevent mould inside the dehumidifier.



- ◆ Wipe the surface of the dehumidifier slightly with wet cloth, and do not use detergent or abrasive in case the plastic surface is damaged.



- ◆ Clean the washable PP strainer at least once per two weeks simply with cold or warm water, do not use chemical solvents or hot water.



Troubleshooting

If the following problems occur to the dehumidifier, the following solutions can be adopted.

Symptoms	Possible reasons	Solutions
The dehumidifier does not run	Does power plug fall?	Insert power plug into socket.
	Is the water tank full of water? (the water tank is full of water or is placed at incorrect position)	Drain water from the water tank, and then install the water tank again.
	The ambient temperature is lower than 5°C or higher than 32°C	Normal phenomenon
The dehumidification function is not effective	Is the room temperature or humidity too low?	In dry season the dehumidification ability will reduce.
	Are the air outlet and inlet blocked?	Clean up the objects blocking the air outlet and inlet.
Air is not blown out	Is the air strainer blocked?	Clean the air strainer according to the above method.
Noise is abnormal during operation	Is the dehumidifier placed improperly so that it is inclined or unstable?	Please place the dehumidifier in smooth place.
	Is the air strainer blocked?	Clean the air strainer according to the above method.
	There is “tittering” sound	The flowing sound of refrigerant, which is a normal phenomenon.
Water leaks	Connection of drainage pipe becomes loose	Fasten drainage pipe.
	Drainage system is blocked	Remove obstacles and straighten out water pipe.
Frosting occurs	The ambient temperature is low, and it is in the state waiting for defrost.	It is a normal phenomenon, and the dehumidifier has the automatic defrosting function.

Technical Parameters

Model	GDH-3018
Operating voltage	220-240V/50Hz
Dehumidification ability	30L/day @ 30°C 80%RH 18L/day @ 26.7°C 60%RH
Rated power	360W
Capacity of water tank	5L
Weight (net)	13.5kg
Dimensions (mm) (HxWxD)	498 x 343 x 240

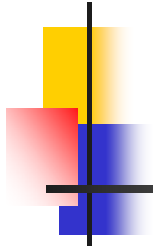
All data are for reference only, and are modified for improvement of product functions or technology without notice.

Meaning of crossed –out wheeled dustbin: Do not dispose of electrical appliances as unsorted municipal waste, use separate collection facilities. Contact your local government for information regarding the collection systems available.



If electrical appliances are disposed of in landfills or dumps, hazardous substances can leak into the groundwater and get into the food chain, damaging your health and well-being.

When replacing old appliances with new ones, the retailer is legally obligated to take back your old appliance for disposals at least free of charge.

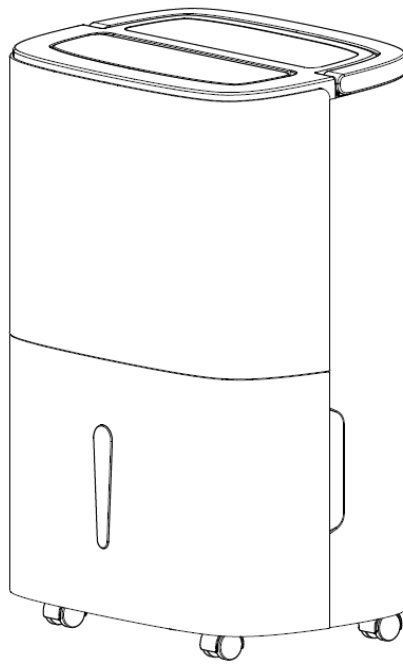


Gala

Manual of Dehumidifier

抽濕機使用手冊

model no. GDH-3018



目 錄

安全警示.....	2
常見問題.....	3
安裝.....	4
組件.....	5
控制面板.....	6
操作方法.....	7
排水.....	8-9
保養.....	10
故障排除.....	11
技術參數.....	12

安全警示

為了您的安全，請在使用本機前仔細閱讀以下內容：

要求：

- ◆ 將本機安裝於平地以減少震動和噪音。
- ◆ 切勿將本機放置於水或者其他液體中。
- ◆ 為防止意外發生，請勿在電線或其他連接損壞的情況下使用本機。
- ◆ 對本機維修僅限專業電工。
- ◆ 在無人指導的情況下勿讓小孩觸碰。
- ◆ 在停止使用，重置或清洗本機時，請拔掉電源。
- ◆ 請在規定電壓下使用。
- ◆ 本機僅供室內使用，請勿做其他用途。
- ◆ 請勿置重物於本機之上。
- ◆ 重啟本機前請清空水箱以免溢濺。
- ◆ 請勿傾斜以免溢出的水損壞本機。
- ◆ 請勿放置硬物於機內，避免錯誤及損壞的發生。
- ◆ 發生異常時（如發出焦味等），請關閉本機並拔下電源線。
- ◆ 長期不使用本機時，請拔下電源線。

禁止：

- ▲ 請勿將本機置於發熱裝置（火焰或加熱器等）附近。
- ▲ 請勿以插上或拔掉插頭來開啟或關閉本機。
- ▲ 不要在本機附近使用殺蟲噴霧劑或其他可燃性物質。
- ▲ 勿用尖銳的東西劃傷本機外觀。
- ▲ 勿將油或水濺入本機。
- ▲ 勿用水清洗本機，用半濕的軟布擦拭即可。
- ▲ 勿用諸如苯、汽油、酒精等化學溶劑擦拭本機。若機體確實很髒，請使用中性的清潔劑擦洗。
- ▲ 請勿將機器傾倒超過45° 或倒置機器。

常見問題

Q: 為何冬天抽濕機水箱中存水較少?

- 在冬天，氣溫低，空氣乾燥。相較夏天，抽濕機的抽濕能力劇烈下降，這並非故障。

Q: 為何抽濕機無法運轉或突然停止運轉?

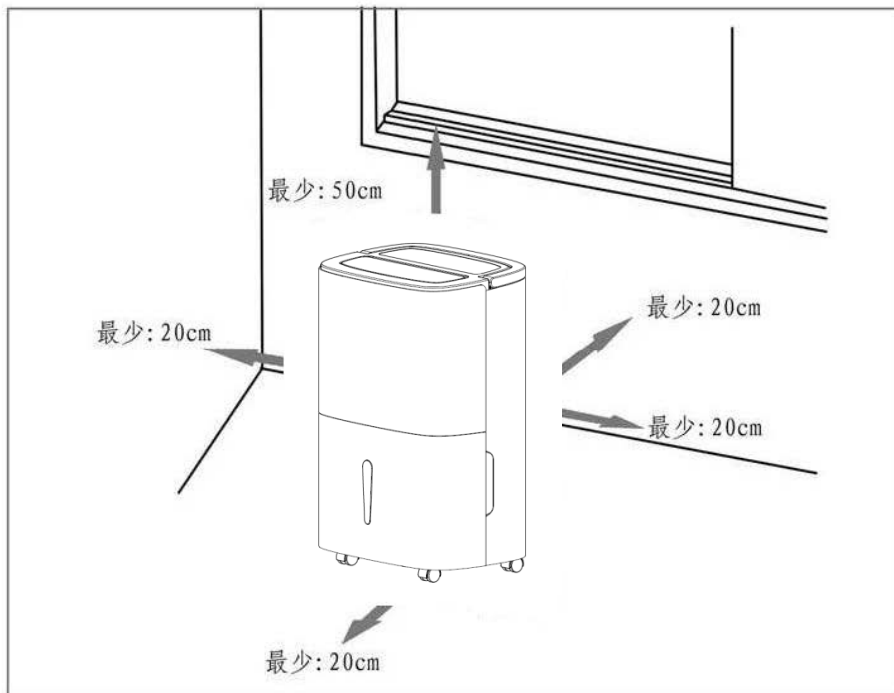
- 本機可能處於水滿，或者水箱沒裝好狀態，倒掉水箱裏的水，或者重新按照正確方式把水箱裝好即可。
- 可能此時處於“抽濕模式”環境溫度較低或較高(當環境溫度低於5°C或高於32°C將無法抽濕)。
機器的使用環境溫度為5-32°C，相對濕度30%-80%。最佳使用溫度為16-32°C；

Q: 為何送風口吹出熱風?

- 本機抽取室內的空氣，由抽濕單元將其冷卻，溫度降低到凝露點以下，凝結成水滴，水滴最後落入水箱，經過抽濕的空氣再由回溫單元升溫，這樣做能夠降低能耗，也加快抽濕的速度，所以排出即為熱風，這並非故障。

安裝

- ◆ 運轉之前請將水箱中的水倒掉。
- ◆ 運轉中請儘量少開門窗，這樣做可以節省能源。
- ◆ 安裝抽濕機的時候，務必在本機周圍留下一定的空間要求上方最小50cm，前後左右最小20cm。如下圖。
- ◆ 本機在使用時發現噪音大時：
建議在本機下墊上墊子或減震橡膠板等，這樣可以減少振動和噪音，還能減少木地板或地毯的凹陷。

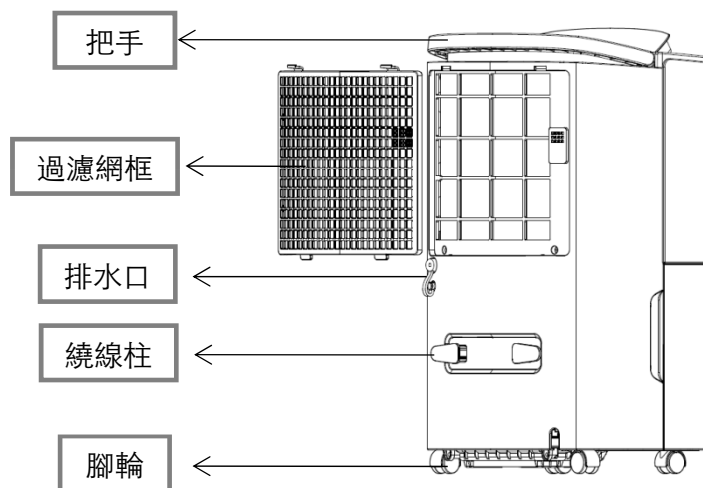


組件

前側



後側



控制面板 (負離子功能)

定時按鍵

24小時定時設置，按下此鍵，設置機器定時開關。定時調節時間從1-24小時，每1小時為一個單位。如果您想取消定時設置，在定時設置確認時按下定時鍵即可。

同時按定時鍵+機內乾燥鍵可啟動擺風功能，再按可關閉擺風功能。

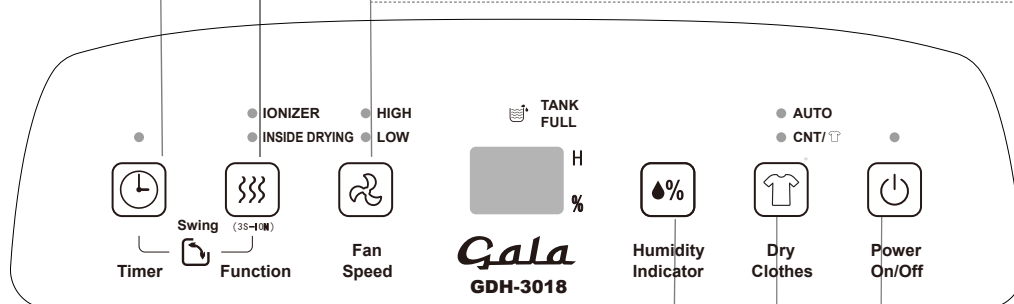
機內乾燥鍵

按下該鍵啟動機內乾燥功能。

長按機內乾燥鍵3秒可啟動負離子功能，再長按3秒關閉負離子

風速鍵

自動和持續抽濕模式下可選擇風速，高風 ↔ 低風之間循環選擇



液晶顯示

在自動抽濕、乾衣等模式下此圖案顯示室內的濕度，在自動抽濕模式下設定濕度此圖案顯示設定濕度；定時狀態顯示定時時間，%表示濕度的百分比。

濕度調節鍵

在自動抽濕下可設定濕度，在30%-80%之間循環，每5%為一個單位。

模式鍵

在開機或定時開機時按此鍵可選擇自動抽濕、強力抽濕等模式，選擇模式對應的指示燈亮。

開關鍵 按此鍵開啟和關閉機器。

操作方法

功能說明

定時關機的設置

- 在機器運行狀態下，按[定時鍵]進入定時狀態，通過濕度調節鍵來調節時間從1小時到24小時，每按一次則設定時間增加1小時，超過24小時後，數字回到1，開始循環，也可以一直按住濕度調節鍵，時間向前增加循環變化，設定的時間到時，機器自動關機。設定完成後，如果定時鍵在5秒內無任何動作，則表示確認定時時間。定時關機狀態時，[定時鍵]上的按鍵燈常亮。

定時開機的設置

- 在機器待機狀態下，按[定時鍵]進入定時狀態，通過上下鍵調節所需定時時間的調法與定時關機一樣，設定完成後，如果[定時鍵]在5秒內無任何動作，則表示確認定時時間。定時開機狀態時，[定時鍵]上的按鍵燈常亮，控制屏顯示設定時間。

自動抽濕模式

- 自動抽濕，選中此選項，如果房間濕度>設定濕度+5%，則壓縮機啟動，風機設定風速運行，如果房間濕度<設定濕度-5%，則壓縮機停止，風機設定風速運行，如果房間濕度在設定濕度+5%到設定濕度-5%之間，整機按原運行狀態運行，設定濕度的初始值為50%。

強力抽濕模式

- 強力抽濕模式，選中此選項，則不管房間裏相對濕度如何，壓縮機啟動，風機默認高速運行，風速可調節。

機內乾燥功能

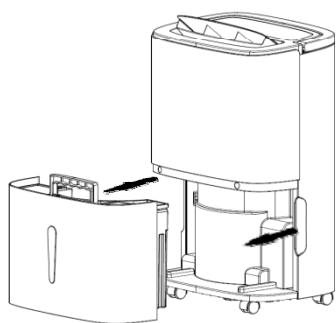
- 按下機內乾燥鍵開啟機內乾燥功能，能防止機內發霉，再按下機內乾燥鍵則關閉此功能。

排水

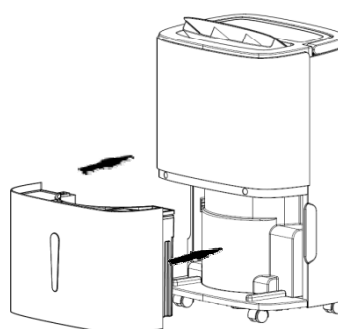
1、水箱的使用

當水箱充滿水時，控制面板上的水滿圖示閃爍(此時整機將停止運轉)，警報器響十聲提醒使用者，直至水被倒掉。

- ◆ 將雙手分別放在後殼側邊的凹陷處，輕輕取出水箱
- ◆ 掀開右側的水箱蓋，將水從水箱與水箱蓋之間形成缺口內倒出。



- ◆ 將水箱蓋扣上，水箱把手旋轉放下。
- ◆ 再把水箱輕輕地放回正確的位置再重新開啟抽濕機。

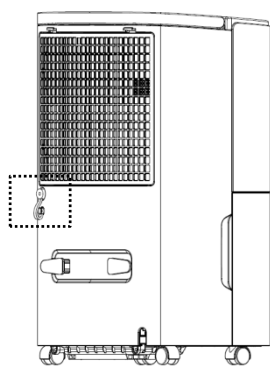


注意:當水箱水滿時請把水箱中的水清空，在把水箱放入機體前，請確認浮球是否旋轉靈活，然後用雙手將其推入到位。

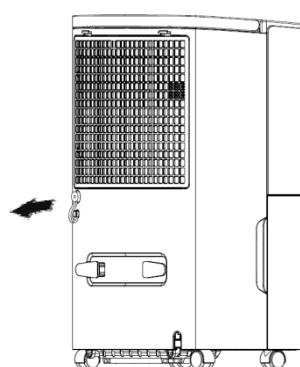
2、連續排水方式

如果你不想經常去倒水箱裏的水，可以在本機後面連接一個排水管(管的內徑為9mm)排水，這根管需要用戶自己購買。

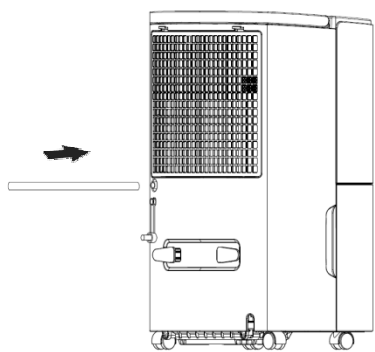
- ◆ 在後面找到堵住排水口的位置，如圖所示：



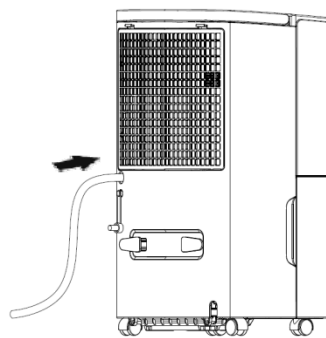
- ◆ 用力拉下膠塞



- ◆ 用一條適合長度的排水管牢固地連接到排水口上。



- ◆ 使用前請仔細檢查排水管是否接牢，以避免水洩漏出來。



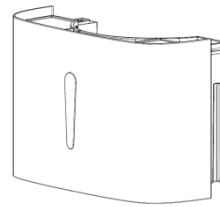
注意：外接水管不可過長，水準高度切勿高過排水口，後段水管要平滑順暢。否則排水不順有漏水風險。

保養

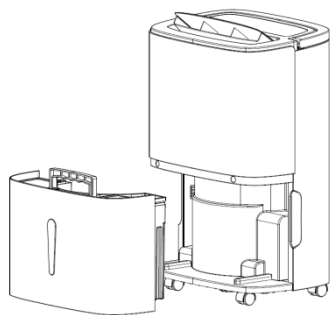
注意事項：

- 在維護或修理前請先拔掉電源，以避免觸電。
- 如果很久不用抽濕機，請拔掉電源。
- 請不要使用酒精，汽油，苯等化學溶劑清潔機體。

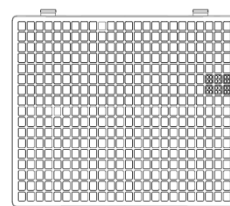
- ◆ 請定時用沾潔淨水的軟布 清洗水箱，以避免裏面發霉。



- ◆ 用濕布輕輕地擦拭機體表面，不要使用清潔劑，以免傷害塑膠表面。



- ◆ 至少兩周清洗一次可洗的過濾網，簡單地用潔淨水清洗就可以了，不要使用化學溶劑或熱水清洗。



故障排除

如果抽濕機出現了下列問題，可以按以下方法解決。

狀況	可能的原因	解決方法
抽濕機不運轉	電源插頭是否掉了？	把電源插頭插在插座上。
	水箱的水是否滿了？（水箱的水滿了或水箱放置的位置不對）	把水箱裏的水倒掉，然後再把水箱裝回去。
	環境溫度過低或高	建議在5-32℃環境下使用
抽濕功能不起作用	房間的溫度或濕度是否太低了？	在乾燥的季節，抽濕能力將會降低。
	出風口和進風口是否被阻擋？	將阻擋出風口和進風口的物品清理乾淨。
不出風	空氣過濾網是否被阻塞了？	按照上面的方法清理空氣過濾網。
運行時噪音異常	是否放置不妥，以至本機傾斜或不穩？	請把抽濕機放置於平穩的地方使用。
	空氣過濾網是否被阻塞了？	按照上面的方法清理空氣過濾網。
	有“哧哧”聲	冷媒流動的聲音屬正常現象
有水漏出	排水管連接鬆弛	接好排水管
	排水系統受阻	清除阻塞物順水管
有結霜現象	環境溫度較低，處於待化霜狀態。	屬正常的功能現象，本機具有自動除霜功能

技術參數

型號	GDH-3018
工作電壓	220-240V/50Hz
抽濕能力	30L/day @ 30°C 80%RH 18L/day @ 26.7°C 60%RH
額定功率	360W
水箱容量	5L
重量(淨重)	13.5kg
尺寸(mm) (高 x 寬 x 深)	498 x 343 x 240

一切數據只供參考, 產品功能或因技術提升而改動, 恕不另行通知。